

**IDA-X**  
Sugar and sugarfree  
coating



AUTOMATIC SUGAR  
COATING INSTALLATION:  
THE PERFECT COMBINATION  
OF DESIGN AND KNOW-HOW  
FOR THE BEST  
QUALITY PRODUCTS

IMPROVED PRODUCTIVITY,  
FLEXIBILITY AND CONSISTANCY  
WITH LOWER LABOUR AND  
ENERGY COSTS

Conception : Iceberg

**Dumoulin**

**Dumoulin**

Z.I. Le Closeau  
5, rue Auguste Perdonnet  
77220 Tournan-en-brie - FRANCE  
Tél. : +33-(0)1 64 84 50 00  
FAX : +33-(0)1 64 84 50 01

www.dumoulin.fr  
E-mail : info@dumoulin.fr  
RCS MELUN 582 045 852

**IDA-X**  
FULL AUTOMATIC  
COATING  
INSTALLATION  
FOR SUGAR  
AND SUGARFREE  
COATING

# IDA-X

## FULL AUTOMATIC INSTALLATION FOR SUGAR AND SUGARFREE COATING

Machine type	502X	1002X	2002X	3002X
Useful volume (liters)	650	1300	2600	3900
Batch size (kg)	250-500	500-1000	1000-2000	2000-3000
Drum diameter (mm)	1600	1600	1800	1900
Drum length (mm)	1600	2900	4200	5600
Bed depth (mm)	450	450	540	630

### PRODUCTS RANGE

#### A wide range of centers

- Dried fruits, seeds, nuts...
- Toffees, caramels, liquorices...
- Biscuits, extruded products
- Chewing gums and chewy candies

#### A wide range of coatings

- Any type of syrup, sucrose, dextrose
- All polyols
- Dry powders, icing sugar...
- Waxing, glazing, varnishing



### DRUM DESIGN

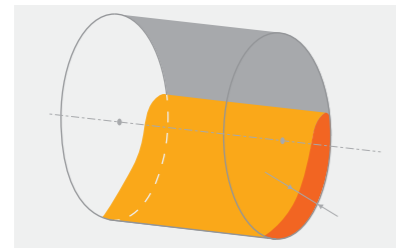
#### Fully perforated drum

- Suitable for hard sugar coat, sugarless coat, glazing or varnishing
- Air flow through products bed
- Low pressure drop for better efficiency
- Faster drying time



#### Shallow bed depth

- Elongated drum shape for lower bed depth
- Careful handling of fragile products
- Better mixing
- Better exposure to ventilation and spraying



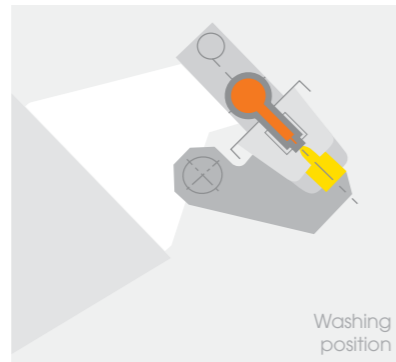
### SYRUP SPRAYING

#### Syrup preparation

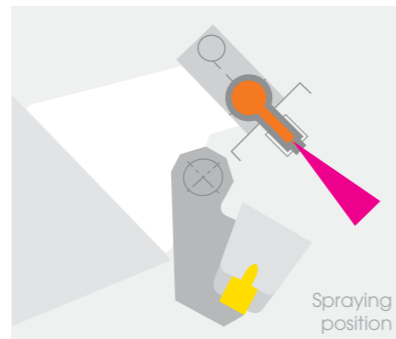
- Modular custom design
- Hot or cold solutions with various ingredients, gum, gelatine, starch, colour, flavour...

#### Syrup dosing and spraying

- High accuracy and consistency, with lobes pump and flowmeter
- Double jacketed networks
- Spraybar extraction for easy maintenance
- Spray nozzles automatic cleaning



Washing position



Spraying position

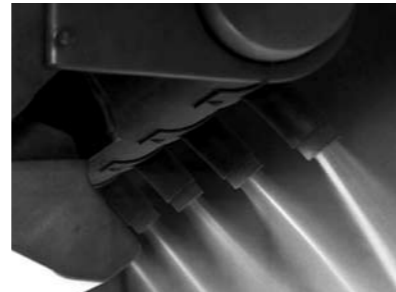
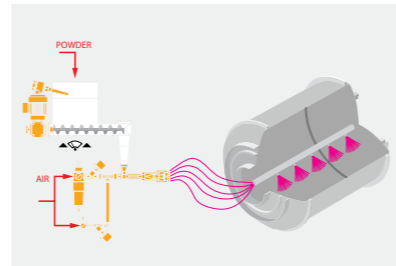
### POWDER DISTRIBUTION

#### To help crystallization for coating with polyols

- To cover products with cocoa powder, icing sugar...

#### Accurate system

- with powder dosing / weighing and compressed air powder transport



### VARNISHING AND WAXING

#### Varnishing solution tanks

- For aqueous and alcoholic solution

#### Varnish dosing systems

- for controlled steps

#### Varnish spraying systems in the pan

- with airless spray guns

#### Micronised carnauba wax distribution

- with air spray system



### AIR TREATMENT GROUP

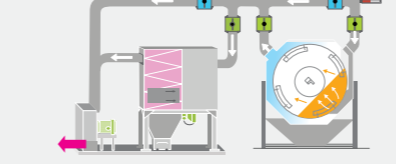
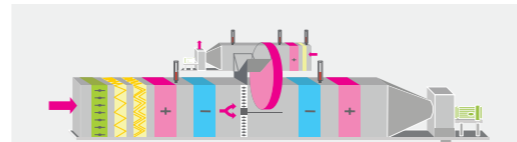
#### Process Air

- Airflow, temperature and humidity control
- Perfect repeatability

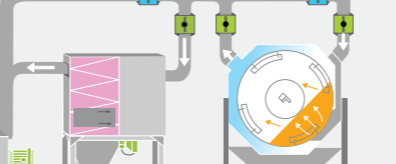
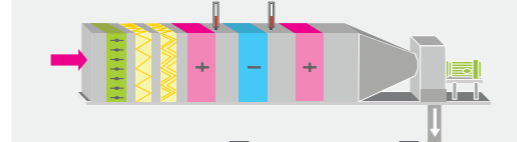
Machine type	502X	1002X	2002X	3002X
Airflow (m <sup>3</sup> /h)	4500	9000	18000	27000

#### Exhaust Air

- Negative pressure inside pan
- Automatic cleaning
- Dust collection



Air treatment with dehumidifier for sugar and sugarfree coating

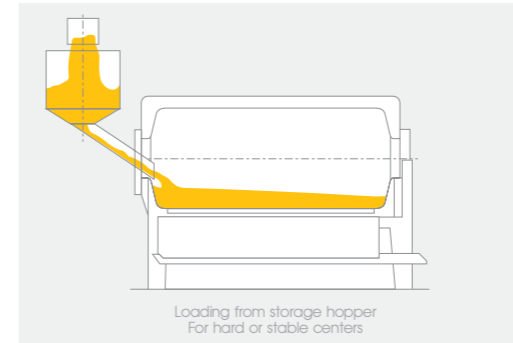


Air treatment with condensation for sugar coating

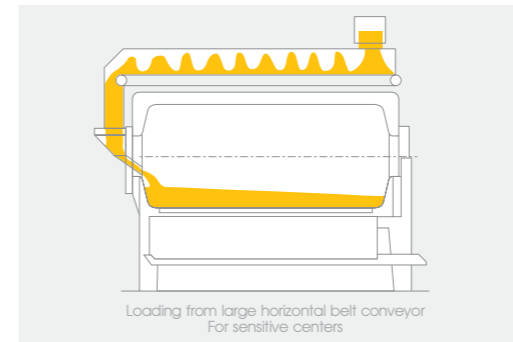
### LOADING SYSTEM

#### Custom design solutions

- According to products fragility
- Adapted to batch size and facility layout
- Wide range of dosing conveyors, elevators, belts



Loading from storage hopper  
For hard or stable centers



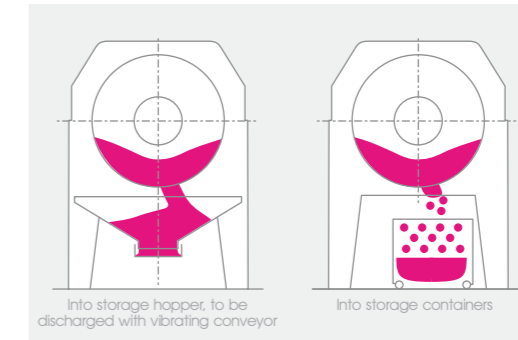
Loading from large horizontal belt conveyor  
For sensitive centers

- Automatic fast loading system



### UNLOADING SYSTEM

#### Fast unloading system by traps allowing to start next batch very quickly



Into storage hopper, to be discharged with vibrating conveyor

Into storage containers

### DEVELOPMENT AND ASSISTANCE

#### Industrial scale laboratory

- Equipped with 250kg and 500kg coating machines
- Recipe development with your products

#### On-site assistance

- Operators and maintenance staff training
- Process development and improvement



### AUTOMATION

#### Effective control of the coating process with different possibilities

#### IDA PROG3

- The basic solution for quality coatings with simple machine handling

- Automatic coating cycle according to programmed recipes.
- Semi automatic controls for loading, unloading and washing functions.

#### IDA PROG4

- Fully automated system allowing to customize all machine parameters

- Automatic coating cycle according to user-friendly recipe building module
- All functions run from operator terminal including programmable sequences
- Overview screens for installation status
- Possibility to network with other machines and supervision system

#### IDA PROG5

- The ultimate process, production and quality control. Supervisory Control and Data Acquisition (SCADA)

- Batch data recording and displaying
- Historical trends and fault reports
- Recipes download to IDA coaters
- Real-time overview of networked coaters